

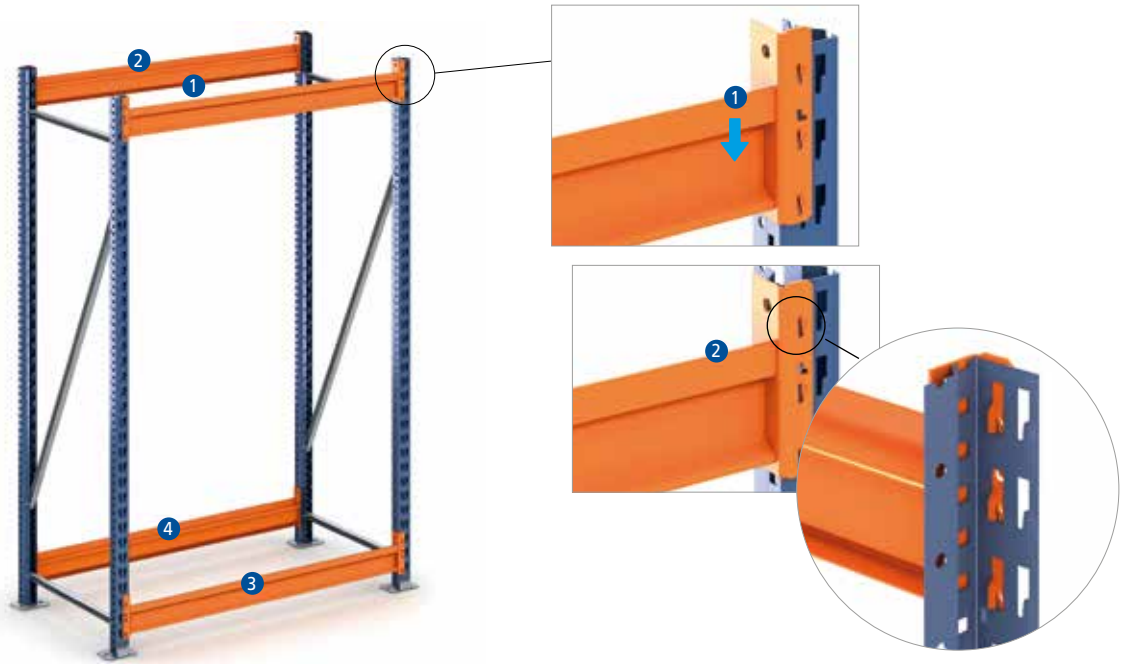
ASSEMBLY INSTRUCTIONS

BULK RACK WITH STEEL DECKS



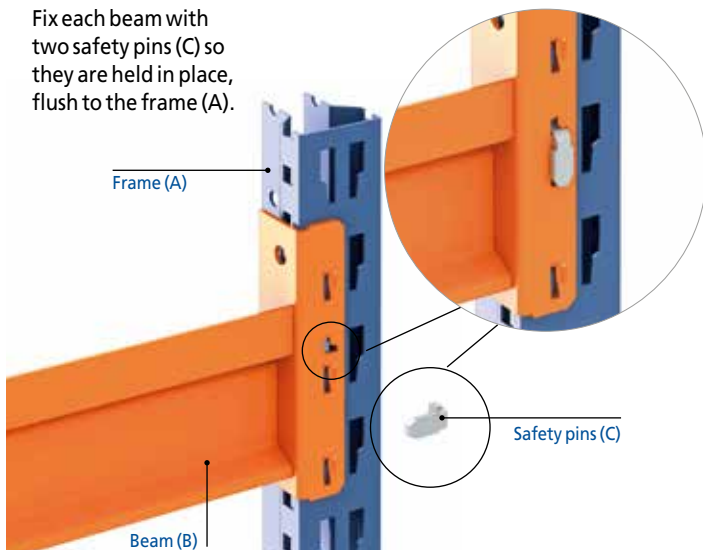
1

Position the beams (B) on the upper level, one at the front and one at the back, to connect the two frames (A). Next, add the lower levels.



2

Fix each beam with two safety pins (C) so they are held in place, flush to the frame (A).



3

Follow the procedure described in the previous step to position the intermediate beams.

If there are more than two levels, follow the procedure described in Step 2 starting with the upper levels.



4

Assemble the metal shelves (D) attaching them so that the fastening tabs (E) protrude on the outside of the beams (B).

Position the narrowest picking panels in the center.

