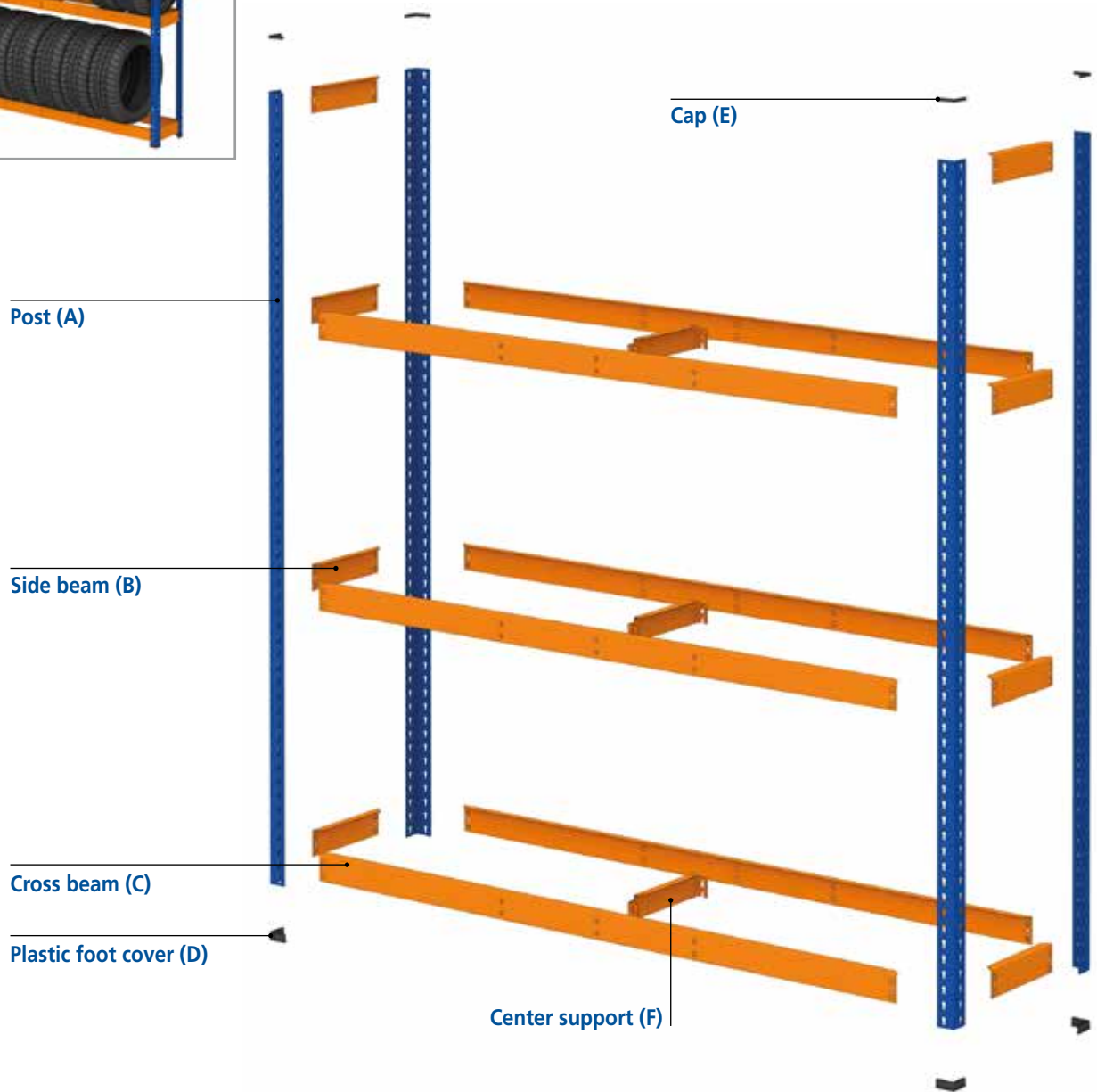


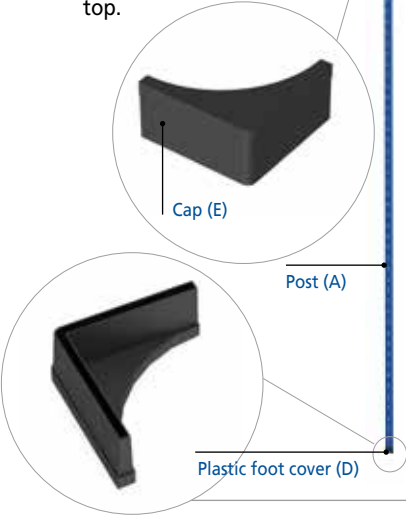
ASSEMBLY INSTRUCTIONS

METAL POINT PLUS SHELVING FOR TIRES



1

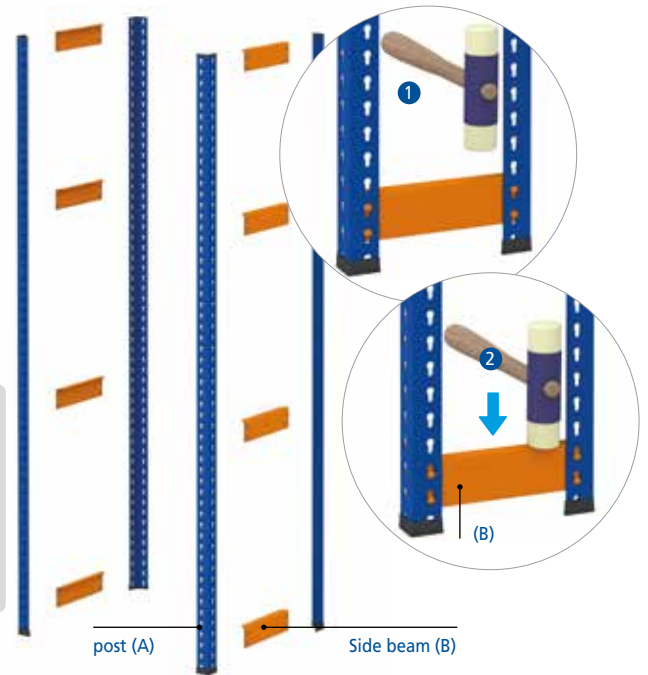
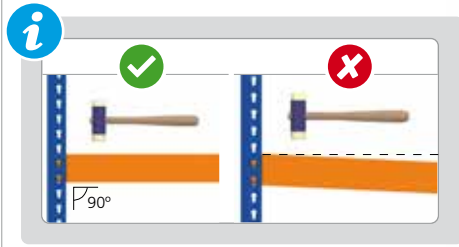
Place the plastic foot cover (D) on the bottom of each post (A) and then the plastic caps (E) at the top.



2

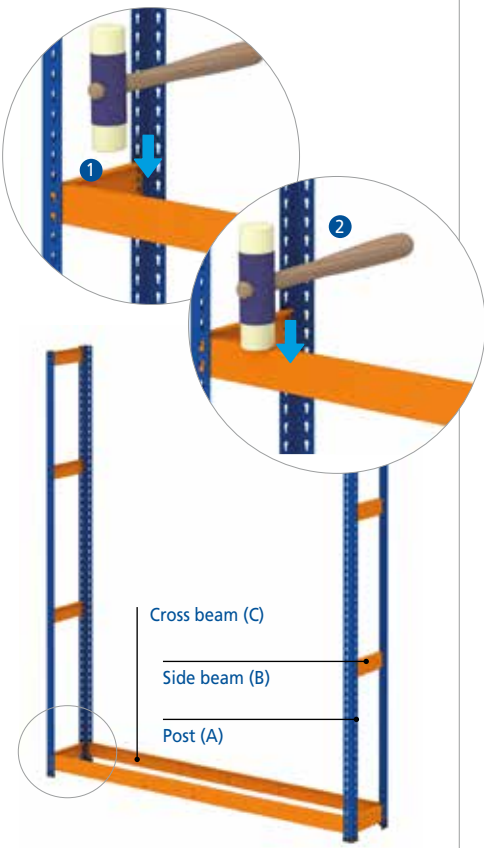
Next, position the lower Side beam (B) in the structure using a nylon mallet, from the bottom to the top.

Before tapping the pieces, make sure the side beams (B) are placed at a 90° angle with respect to the post (A).



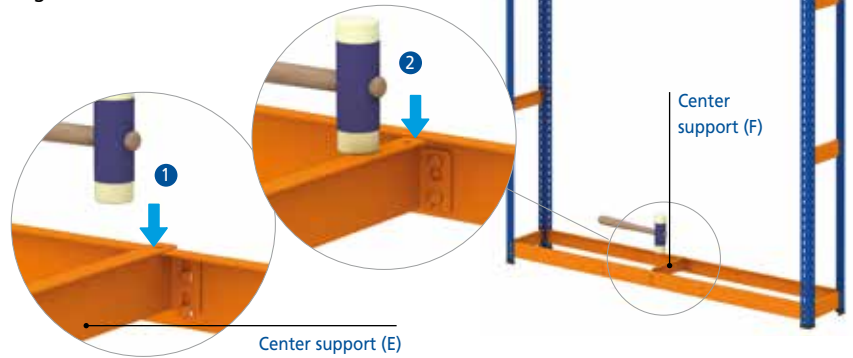
3

Place the cross beams (C) so they stay joined with the post (A) and the side beam (B) of the corresponding level.



4

Insert a center support (F) in the middle of each level using a nylon mallet to strengthen the structure.



5

Do the same with the remaining levels, but always from bottom to top.

