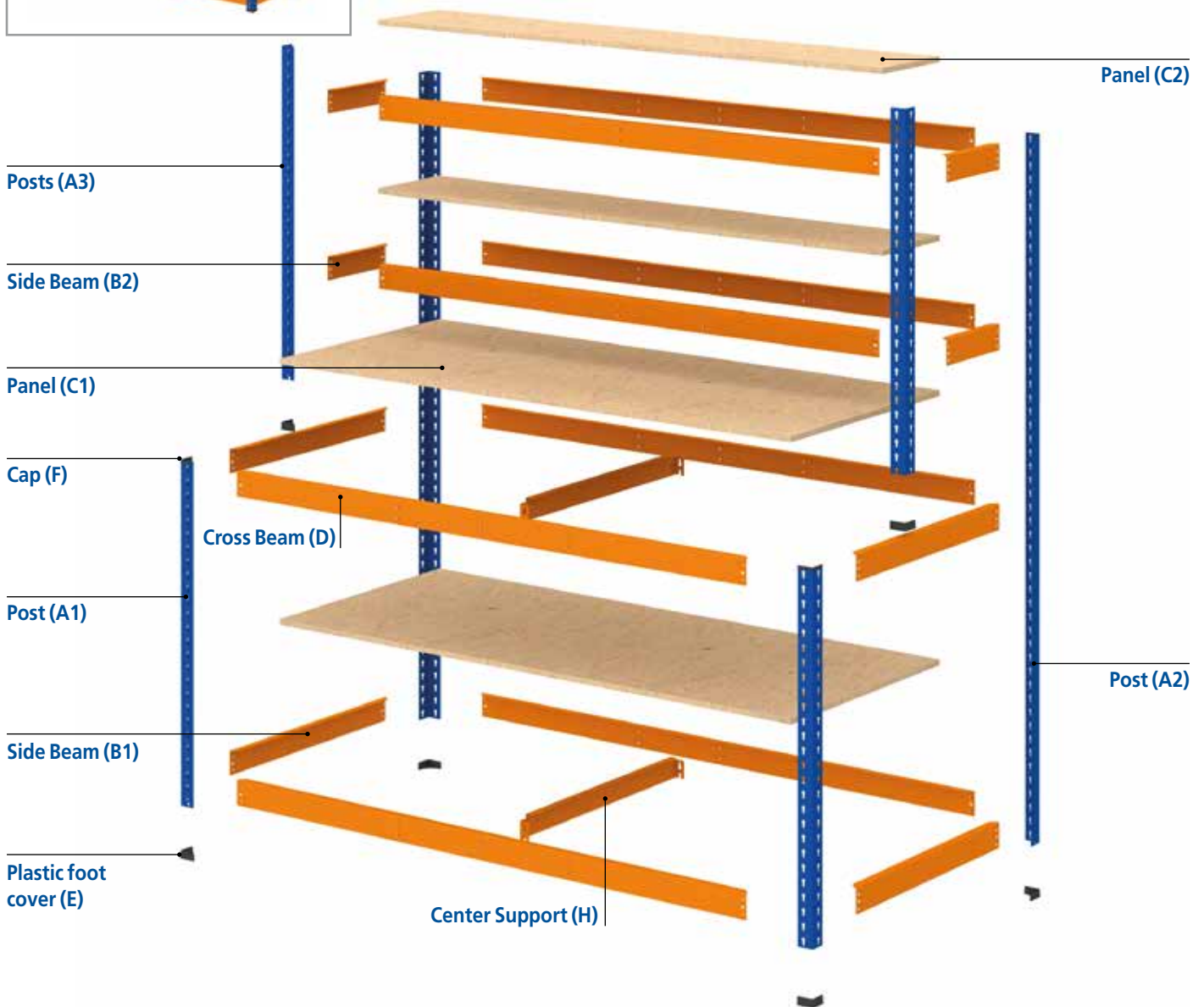


ASSEMBLY INSTRUCTIONS

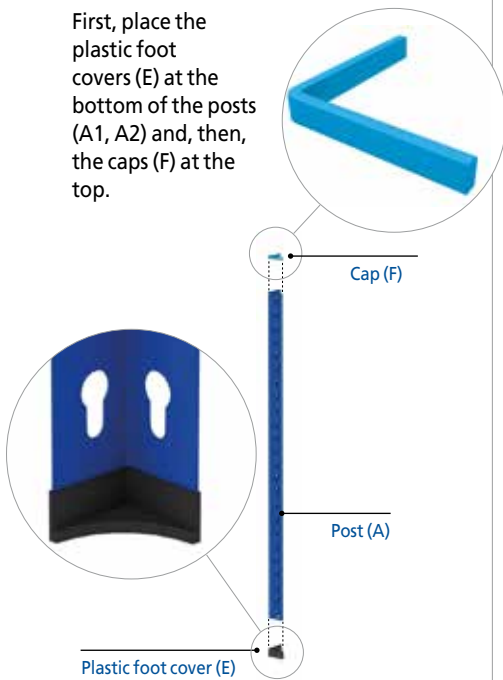
METAL POINT PLUS WORKSTATION



Structure assembly

1

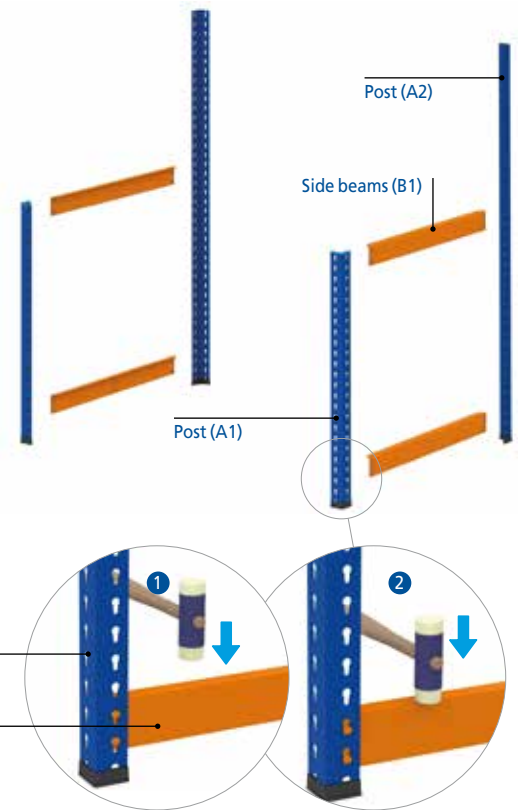
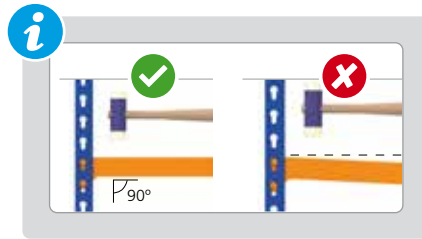
First, place the plastic foot covers (E) at the bottom of the posts (A1, A2) and, then, the caps (F) at the top.



2

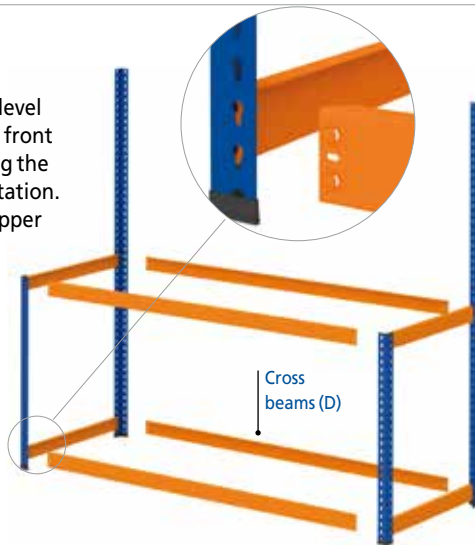
Next, assemble the side beams (B1) starting with the lower level. Use a nylon mallet to tap the side beams (B1) into place on the posts, (A1, A2).

Before doing so, make sure the side beam (B) is set at a 90° angle to the post (A1, A2).



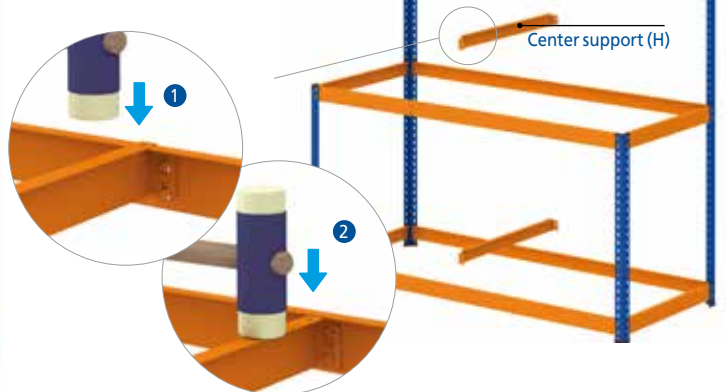
3

Then, insert the lower level cross beams (D), one in front and one behind, joining the two sides of the workstation. After that, insert the upper level rails. (D).



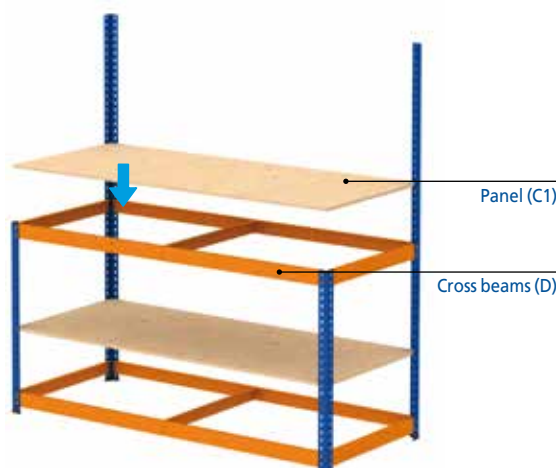
4

Place center supports (H) to reinforce the workstation.



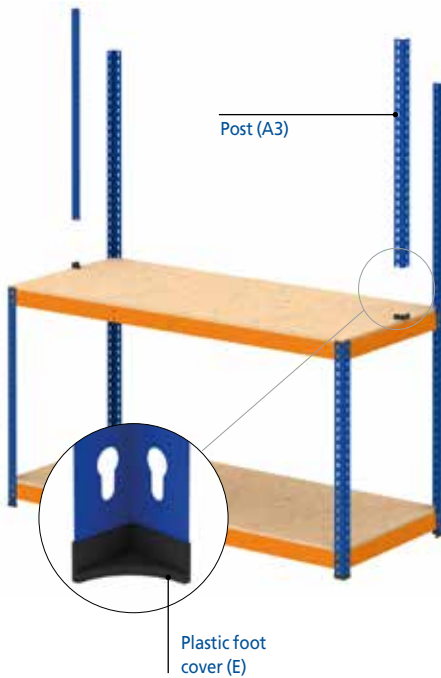
5

Finally, arrange the panels (C1) starting with the lowest level. Rest them on the cross beams (D) and fit them with the caps (F).



6

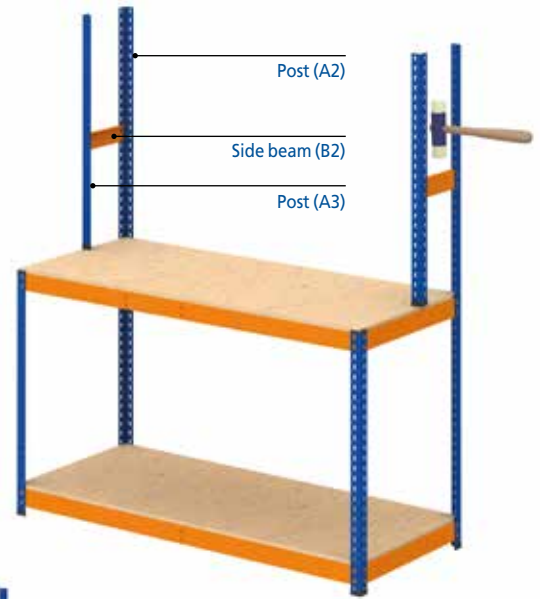
Fit the plastic foot cover (E) onto the bottom of each post (A3).



7

Rest the post (A3) on the panel (C1) and, using a nylon mallet, fix the side beams (B2) to the posts (A2 and A3).

Place them in the sixth hole of the post (A3) starting at the bottom.

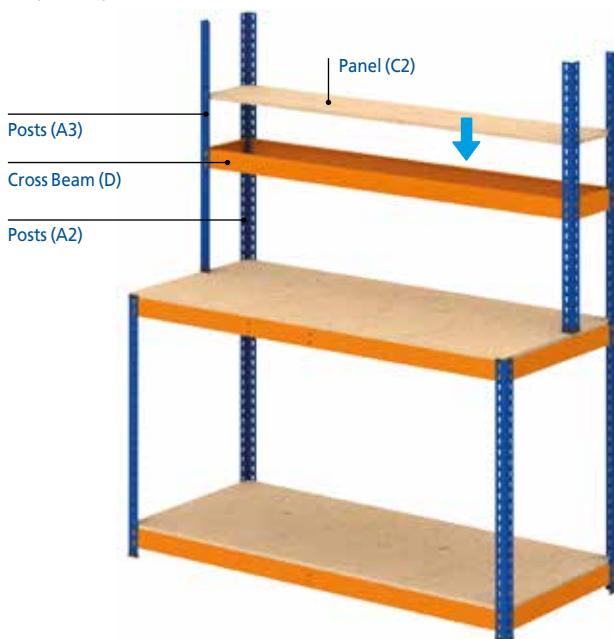


8

Fit the cross beams (D) at the same height as the Side Beams (B2)

9

Finally, set the panel (C2) on the cross beams (D). Adjust it using the posts (A2, A3).



10

Repeat steps 7 to 9 to assemble the upper shelf.

