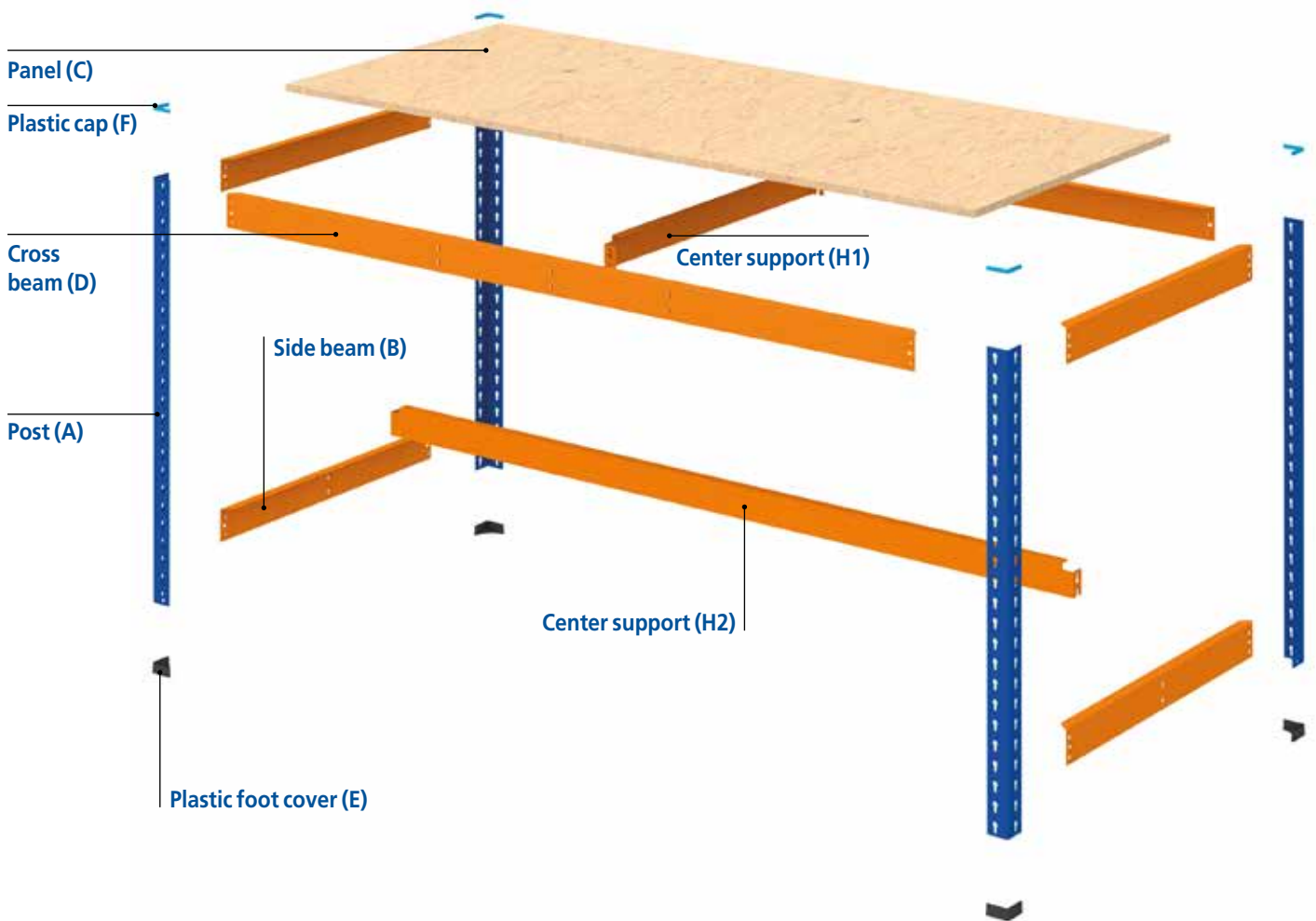


ASSEMBLY INSTRUCTIONS

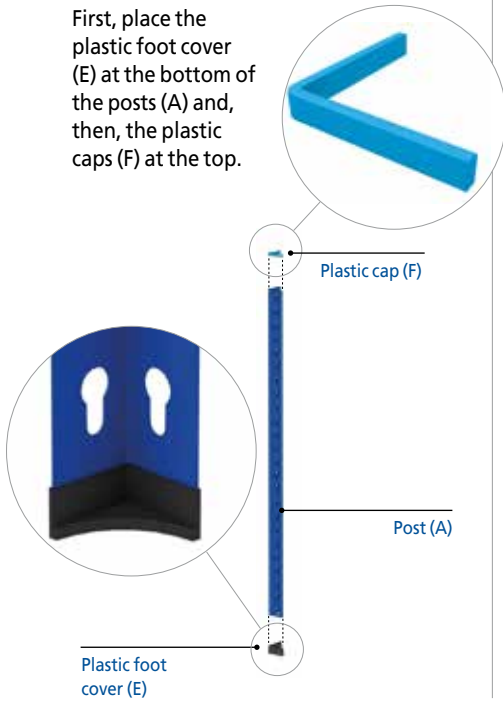
WORKBENCH WITH FOOTREST



Structure assembly

1

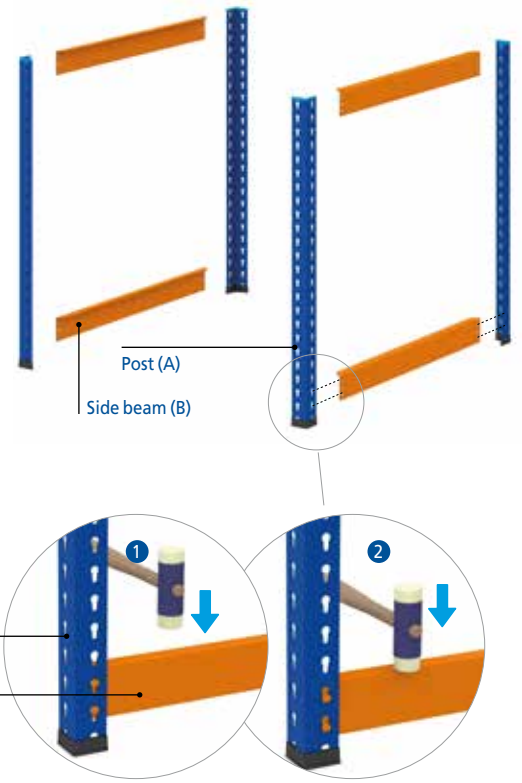
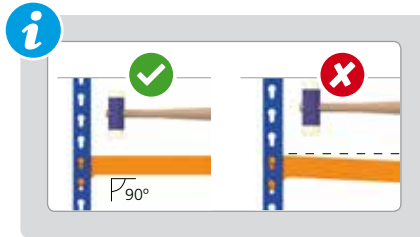
First, place the plastic foot cover (E) at the bottom of the posts (A) and, then, the plastic caps (F) at the top.



2

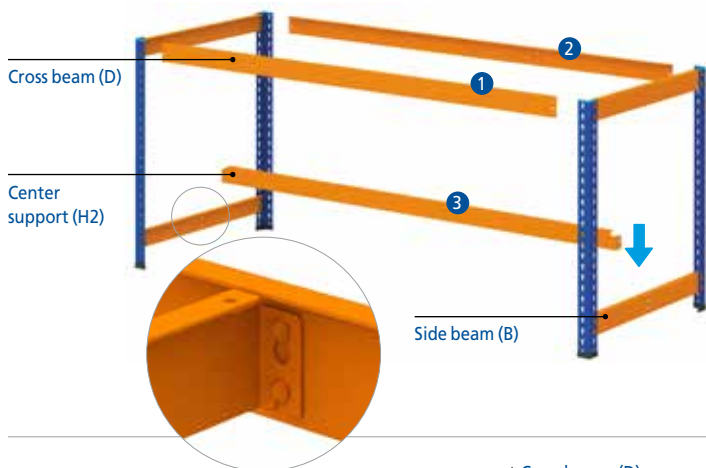
Next, assemble the side beams (B) starting with the lower level. Use a nylon mallet to tap the side beams (B) into place on the posts (A).

Before doing so, make sure the side beam (B) is set at a 90° angle to the post (A).



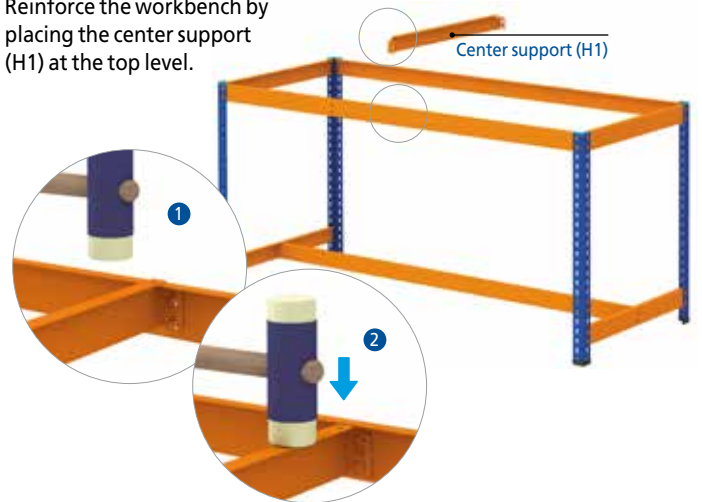
3

Insert the upper level cross beams (D), one in front and one behind, joining the two sides of the workbench. Then, fit the center support (H2) into the side beams (B).



4

Reinforce the workbench by placing the center support (H1) at the top level.



5

Finally, set the panel (C) on the top. Rest it on the cross beams (D) and fit them with the plastic caps (F).

