

ASSEMBLY INSTRUCTIONS

METAL POINT PLUS SHELVING



Post (A)

Panel (C)

Side beam (B)

Cross beam (D)

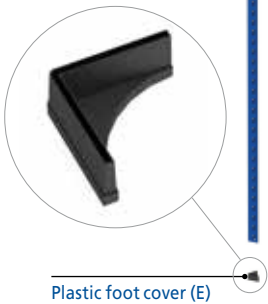
Plastic foot cover (E)

Center support (F)

1

Place the plastic foot cover (E) on the bottom of each post (A).

Post (A)

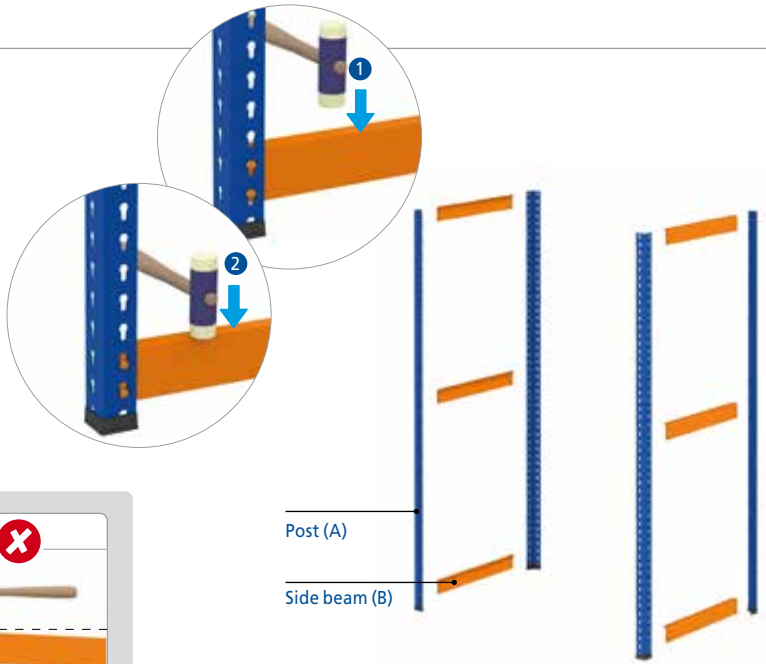
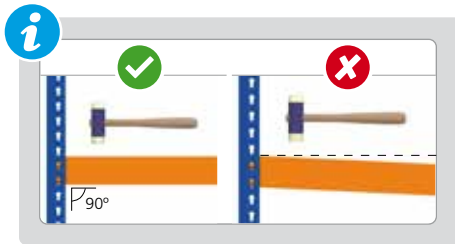


Plastic foot cover (E)

2

Next, position the lower side beams (B) in the structure using a nylon mallet, starting from the bottom to the top.

Before tapping the pieces, make sure the side beams (B) are placed at a 90° angle with respect to the post (A).

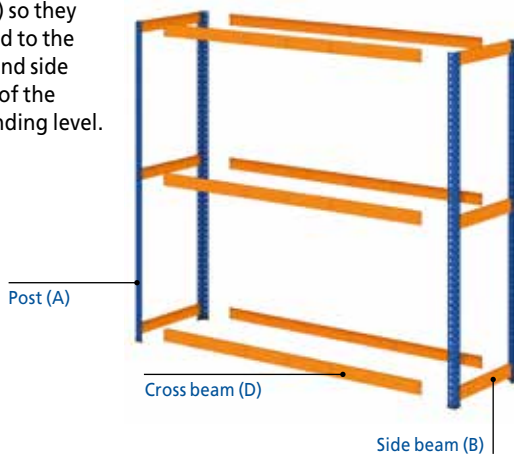


Post (A)

Side beam (B)

3

Place the Cross beams (D) so they stay joined to the post (A) and side beam (B) of the corresponding level.



Post (A)

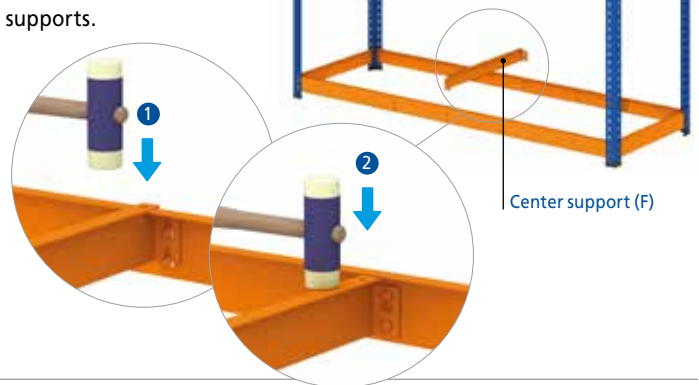
Cross beam (D)

Side beam (B)

4

Insert a center support (F) in the middle of each level using a nylon mallet to strengthen the structure.

Only the 72", 84" and 96" widths include the center supports.



Center support (F)

5

When the shelf's structure is put together, fit a particle board or melamine panel (C) into each level.



Panel (C)